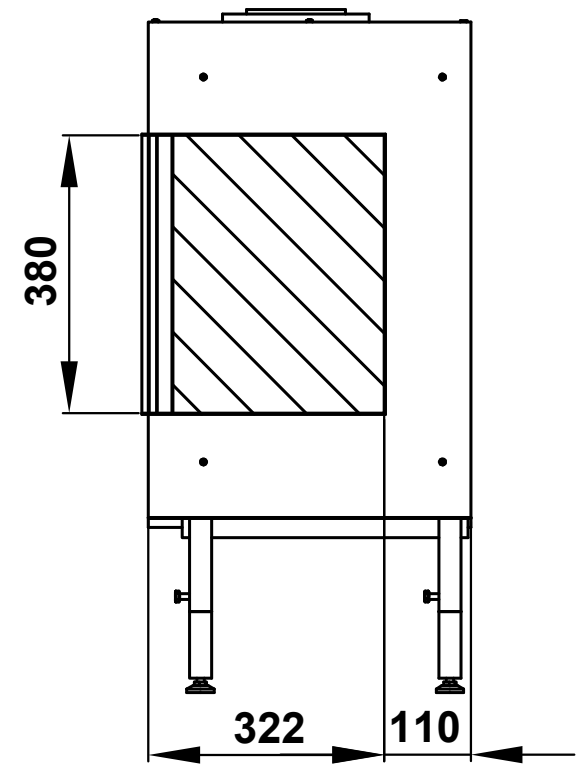
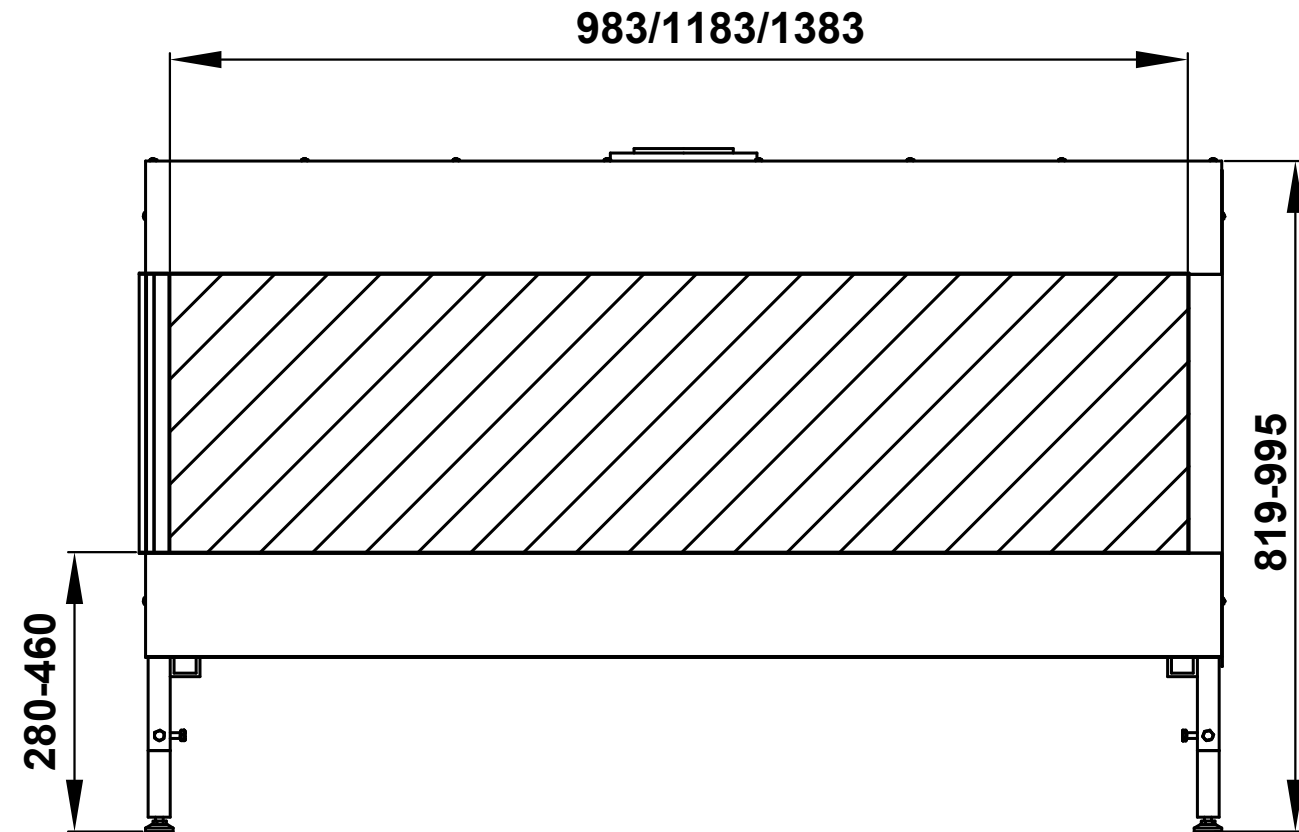
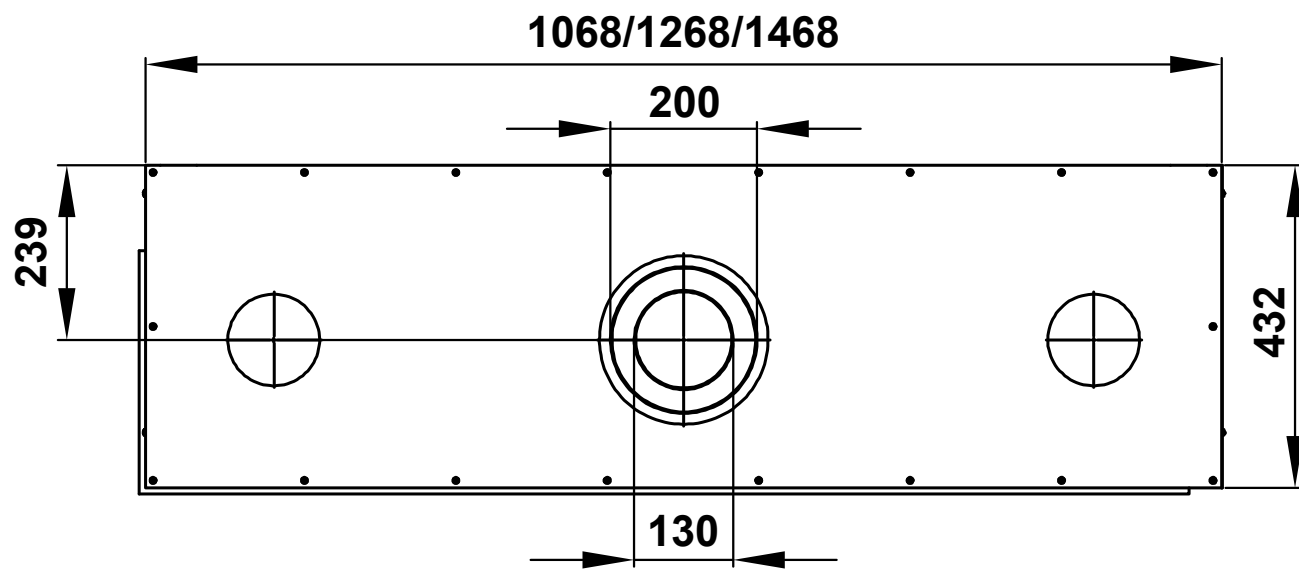
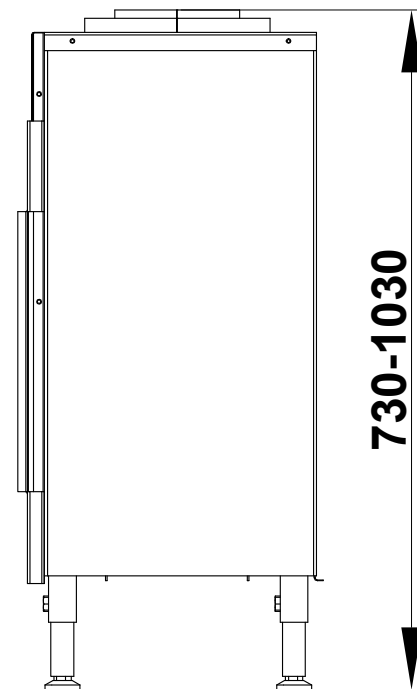
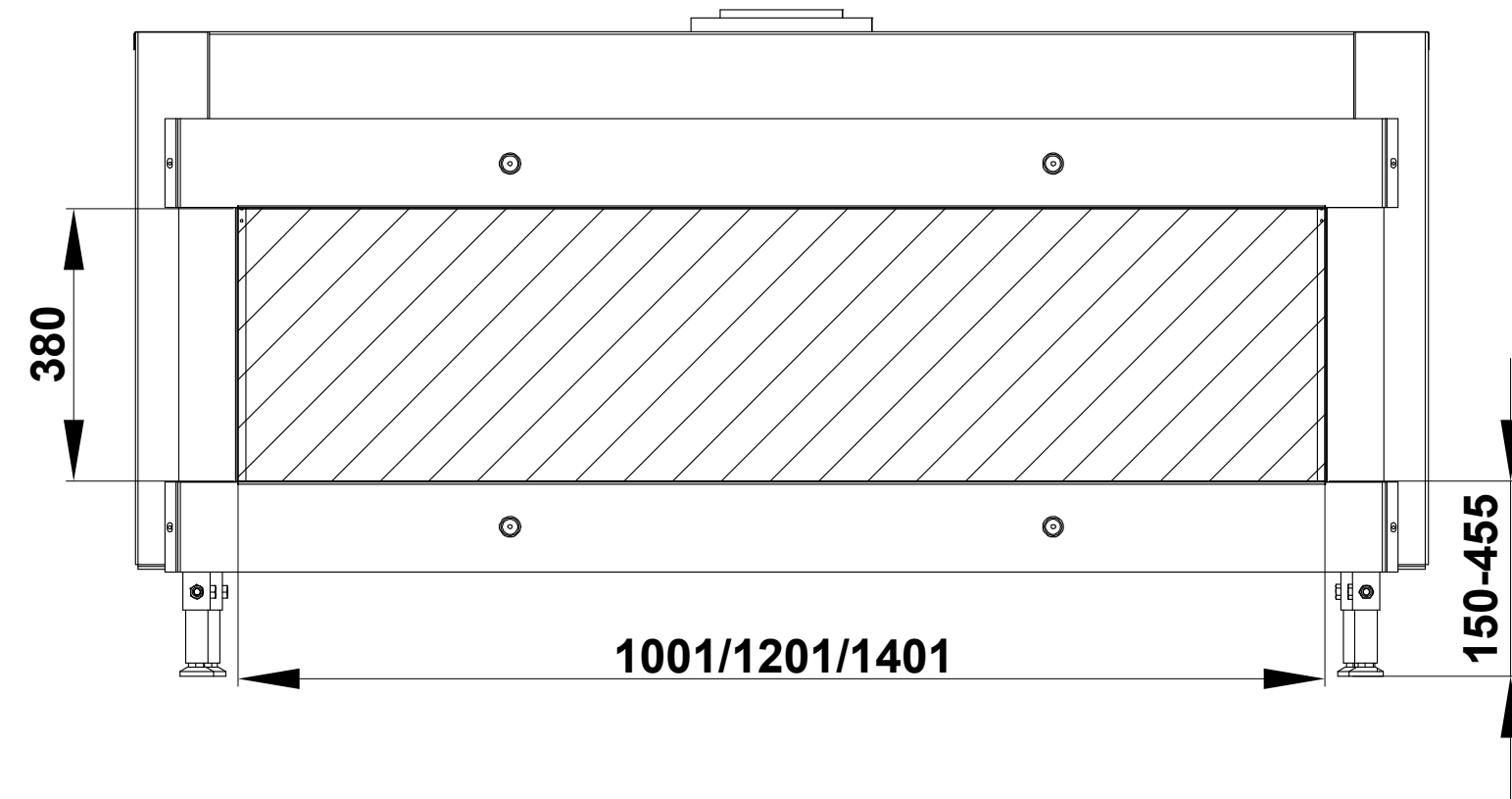
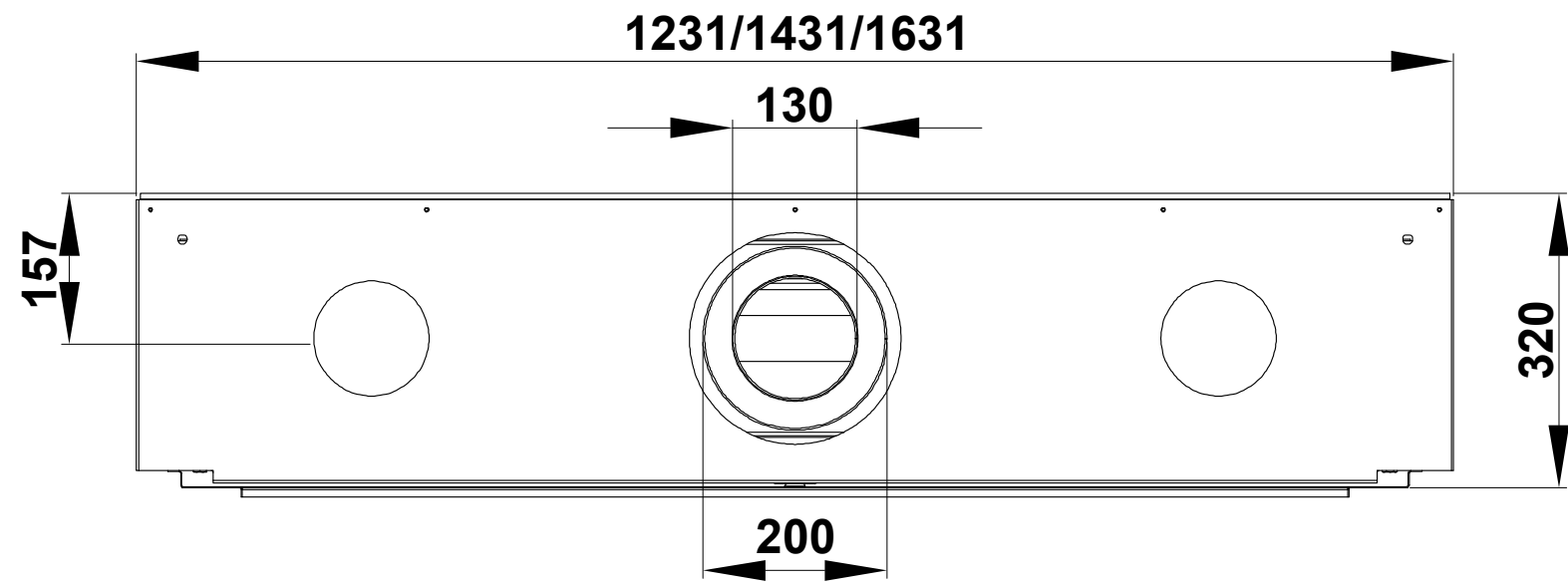


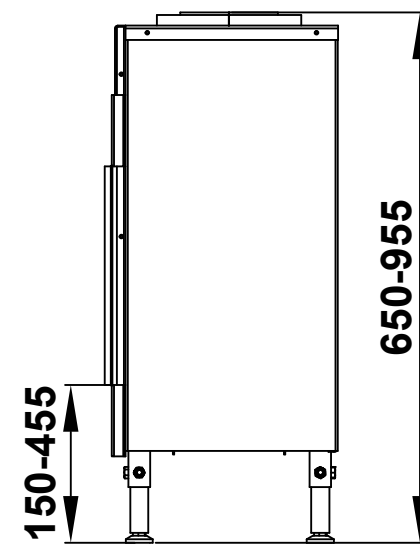
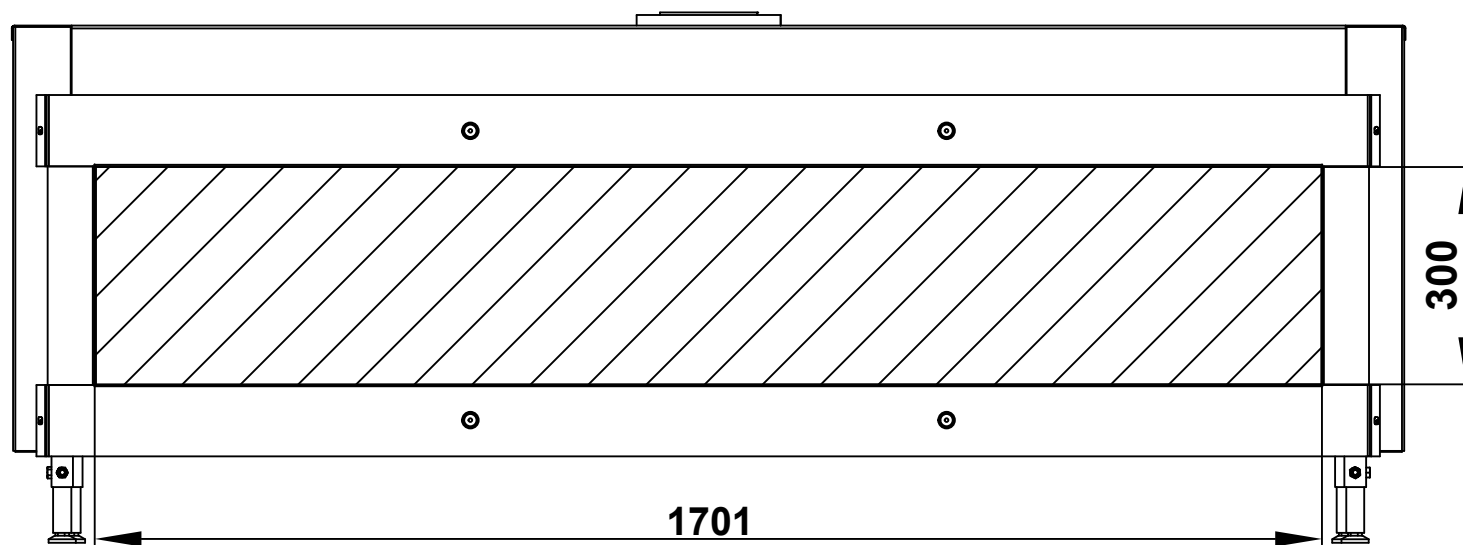
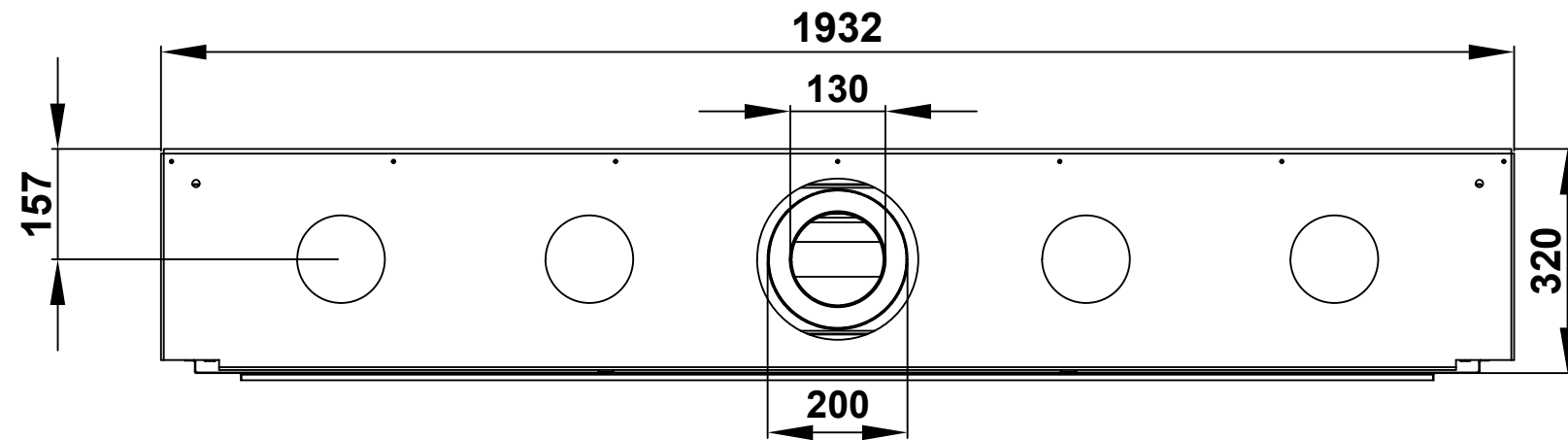
TL 100-120-140 CORNER DB



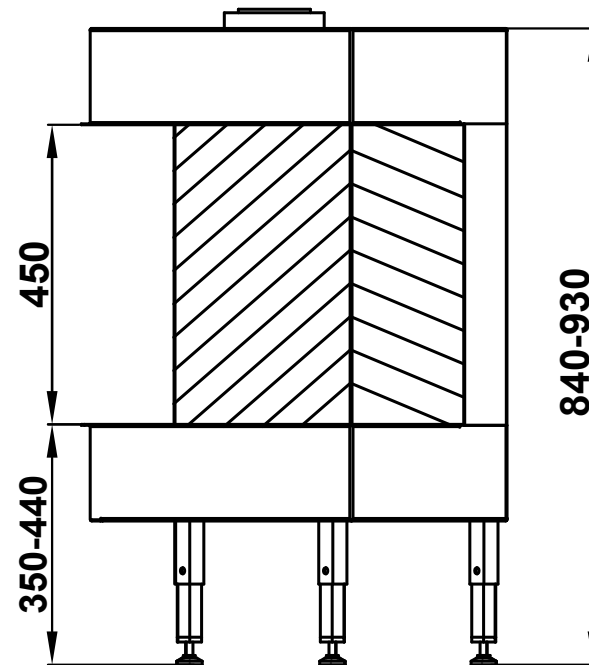
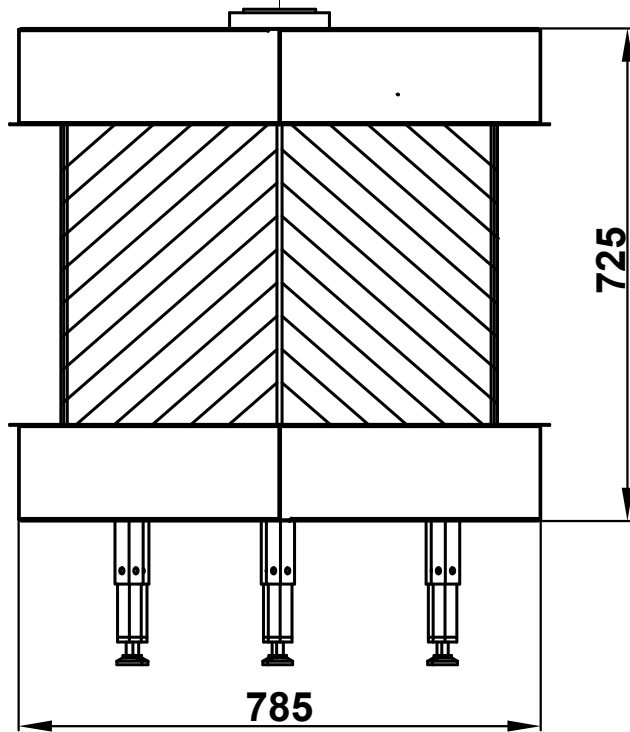
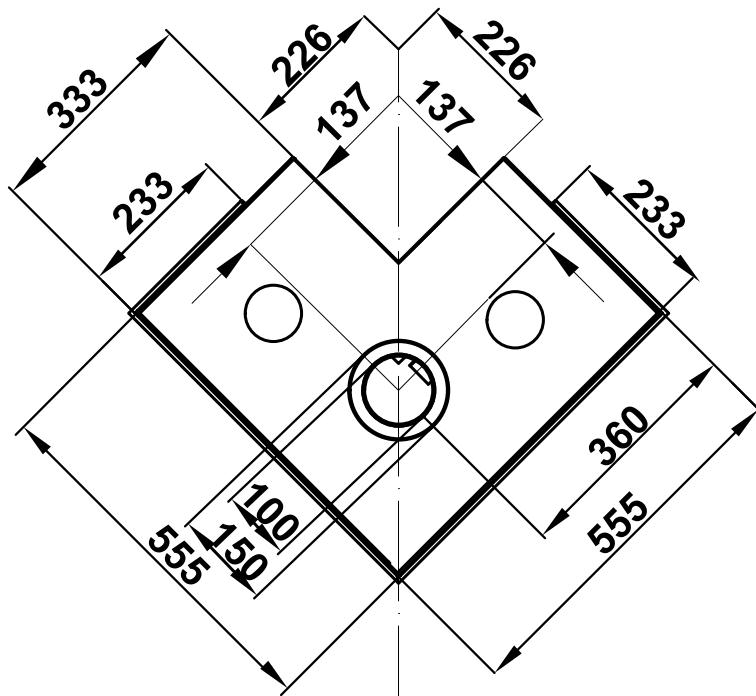
TL 100/120/140 F DB

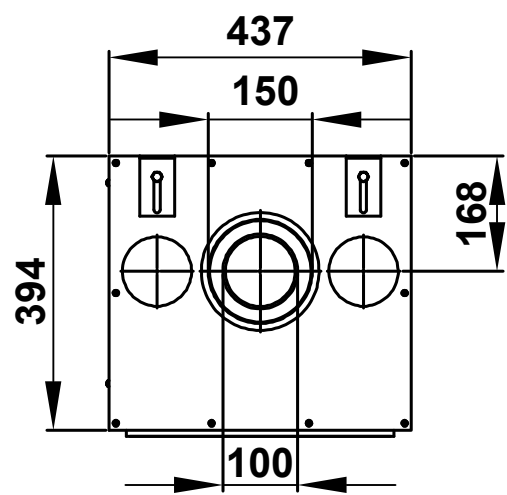


TL 170 DB

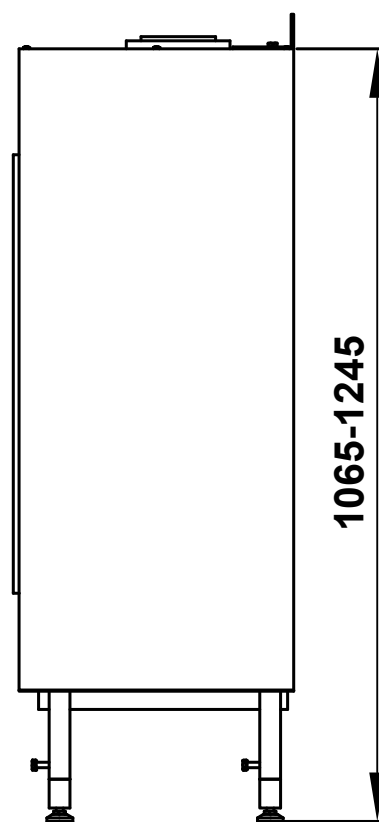
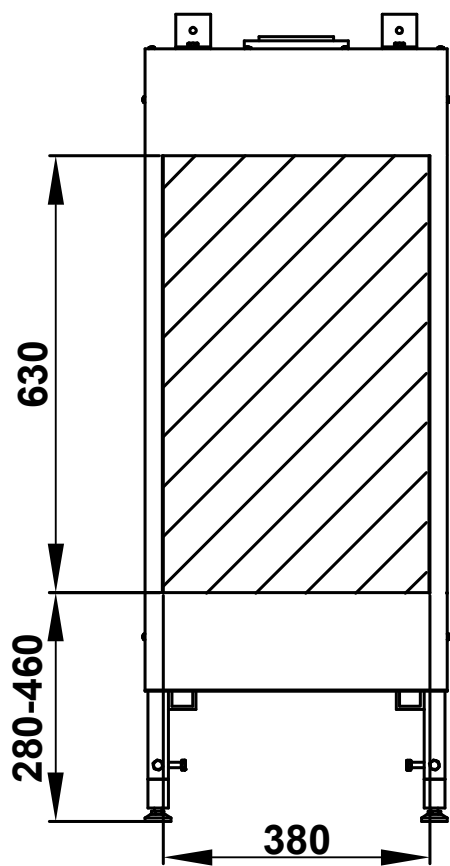


TL 2050 OH

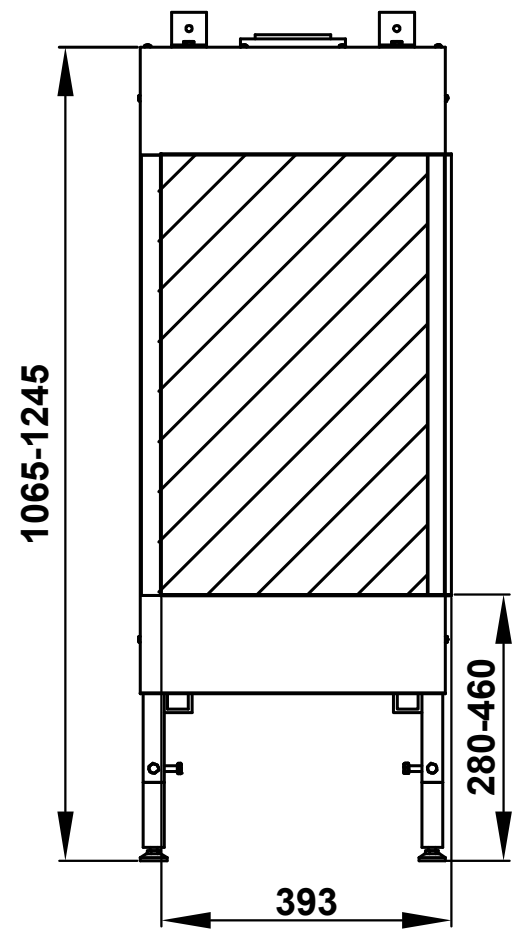
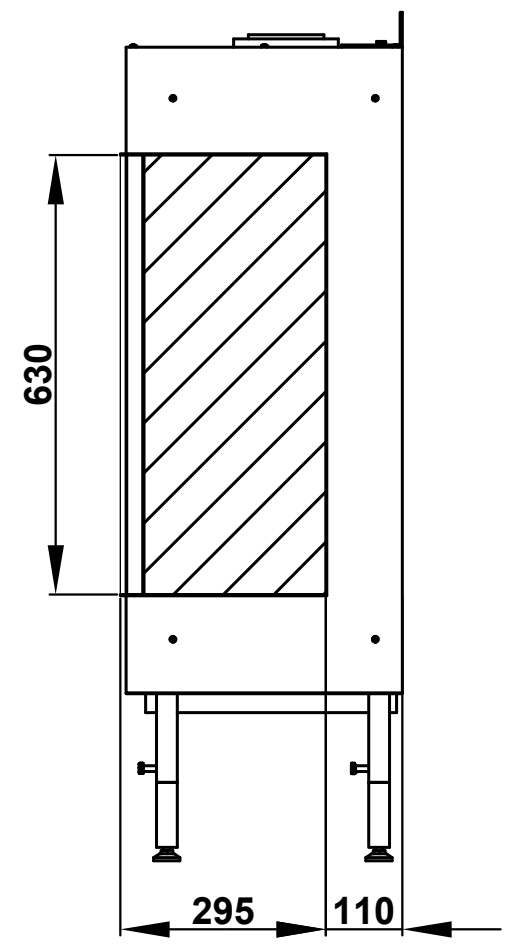
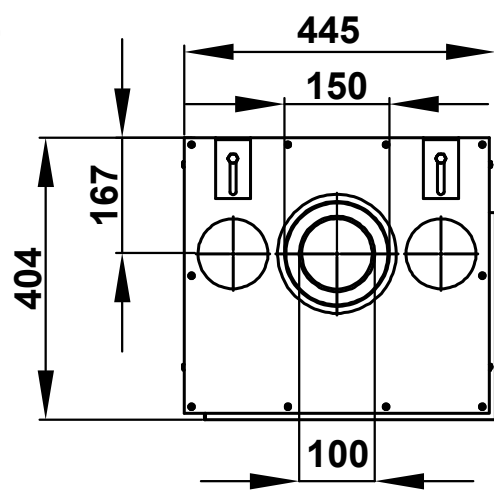




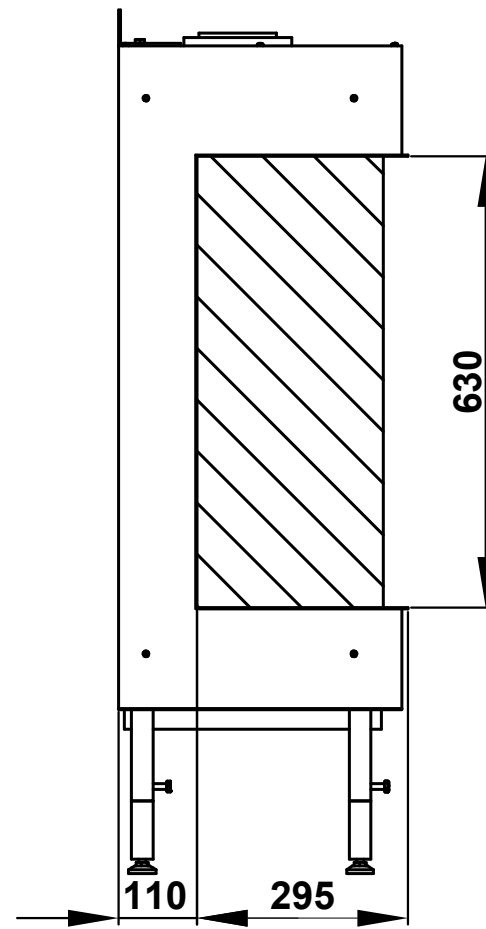
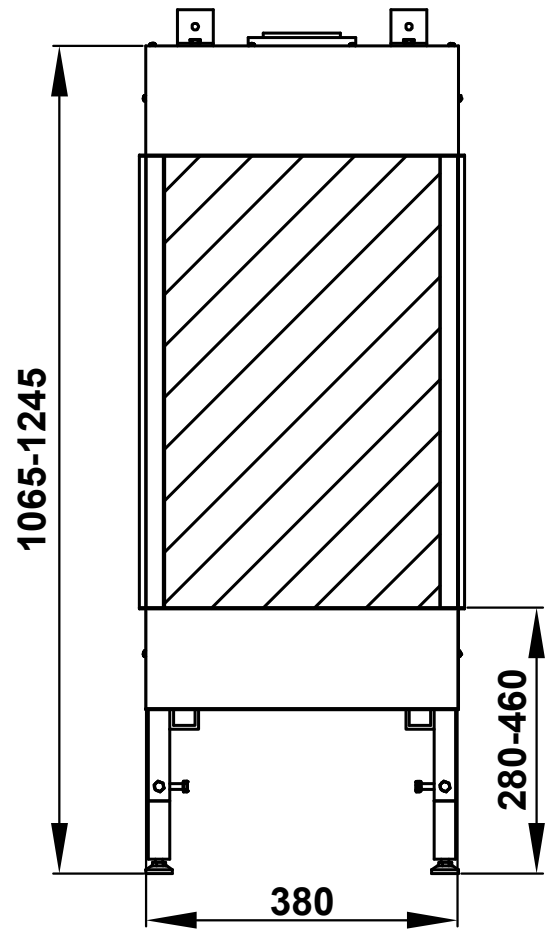
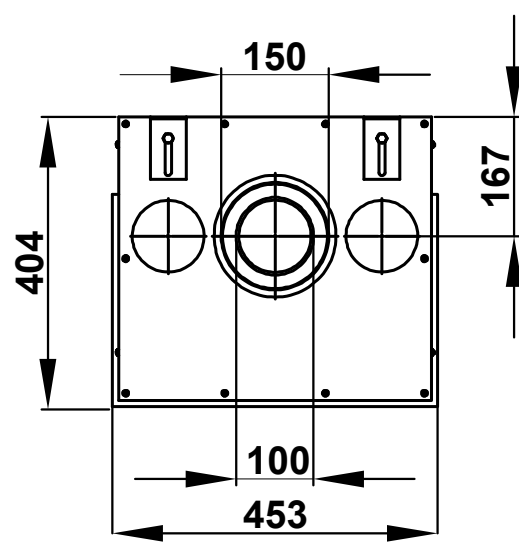
TL 38 FRONT

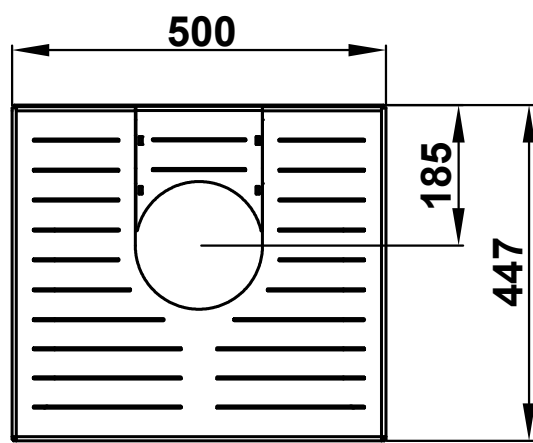


TRIMLINE 38 CORNER (RIGHT)

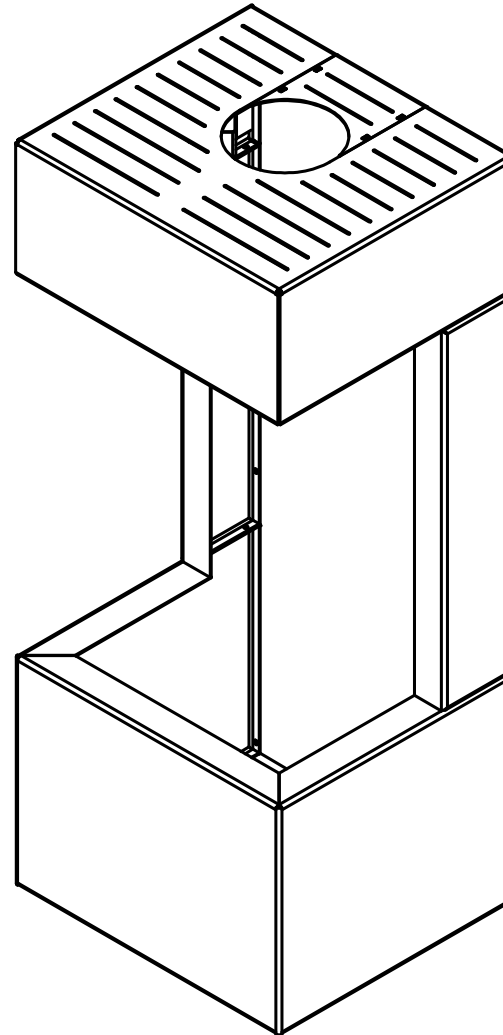
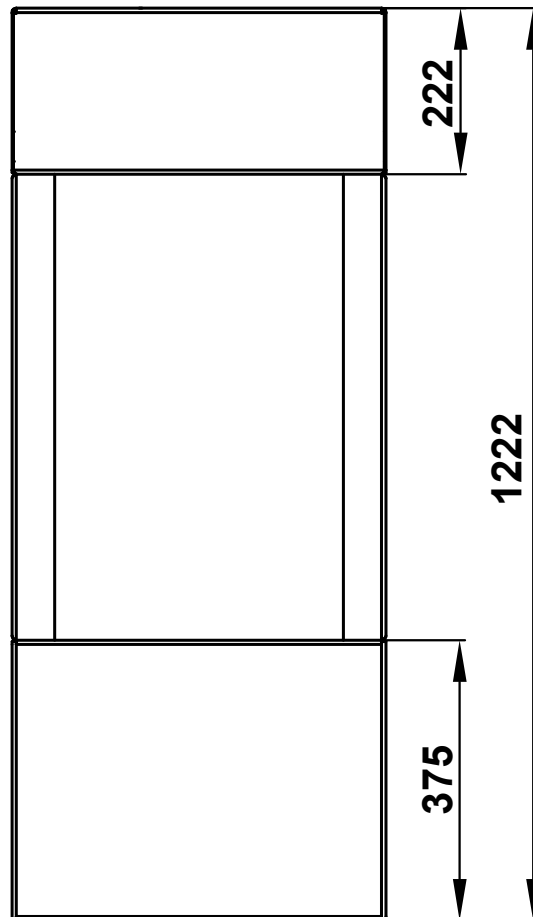


TRIMLINE 38 PANORAMA

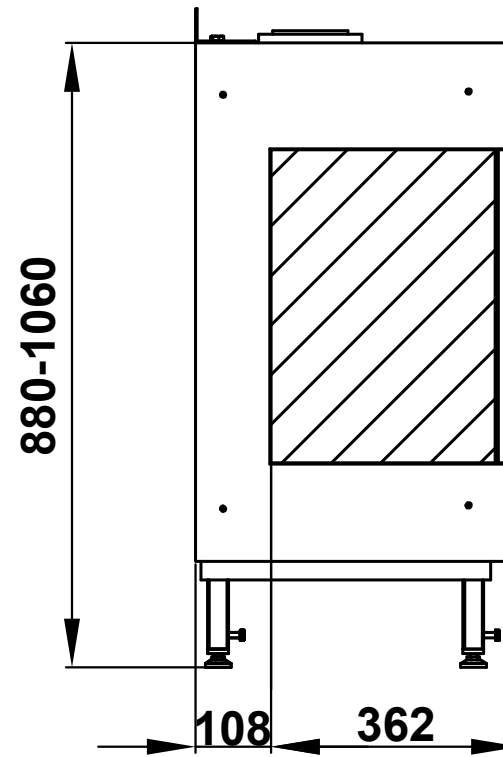
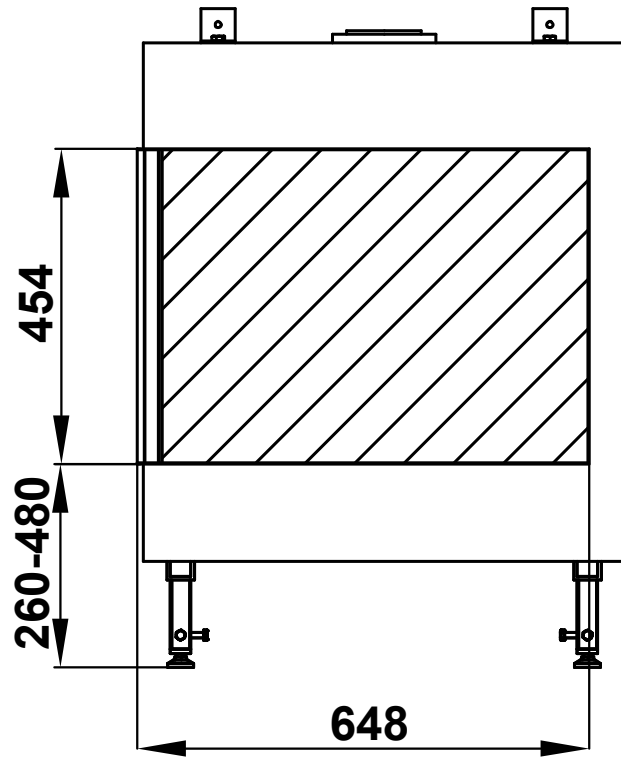
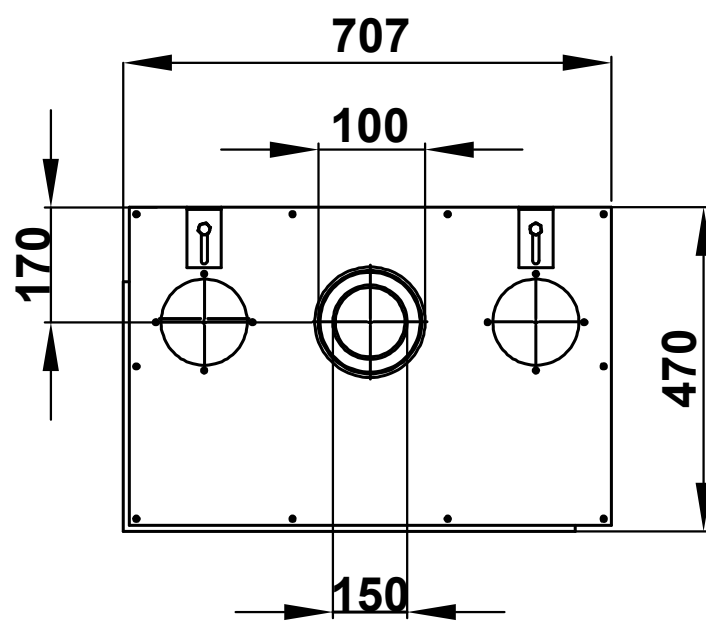




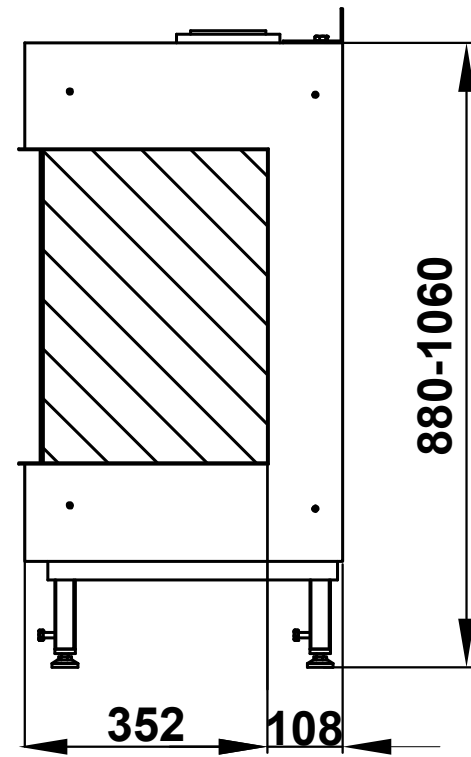
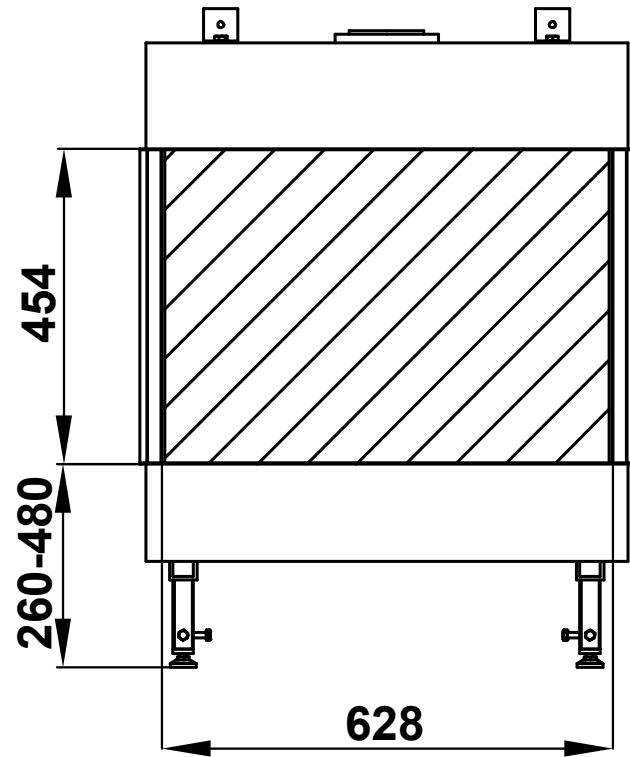
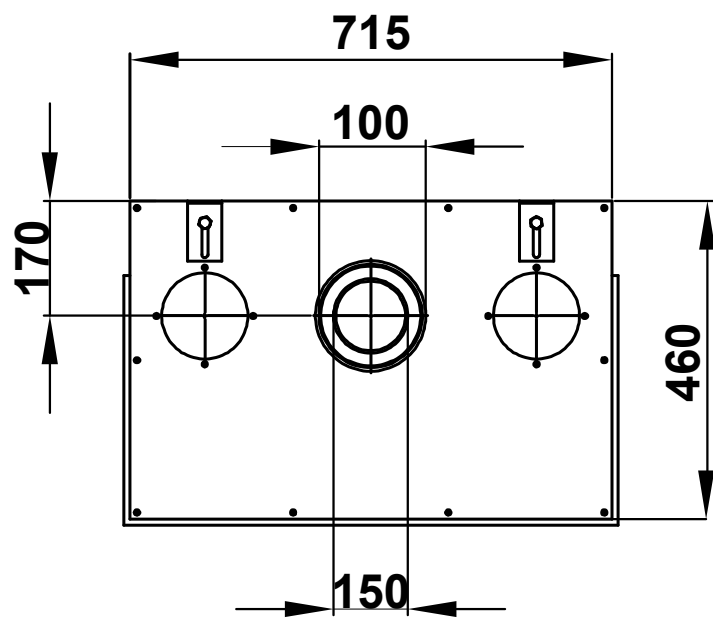
TL 38 FS MANTEL

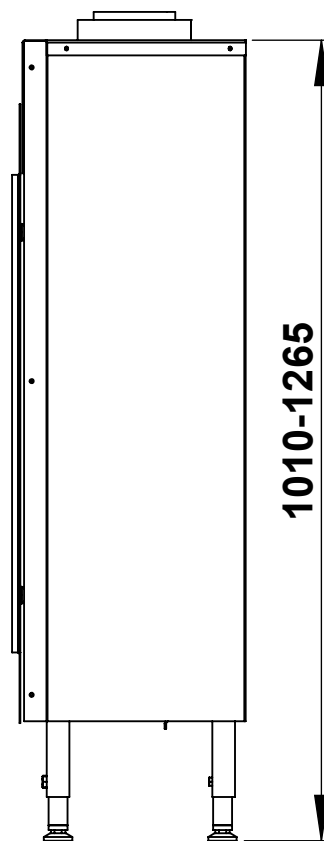
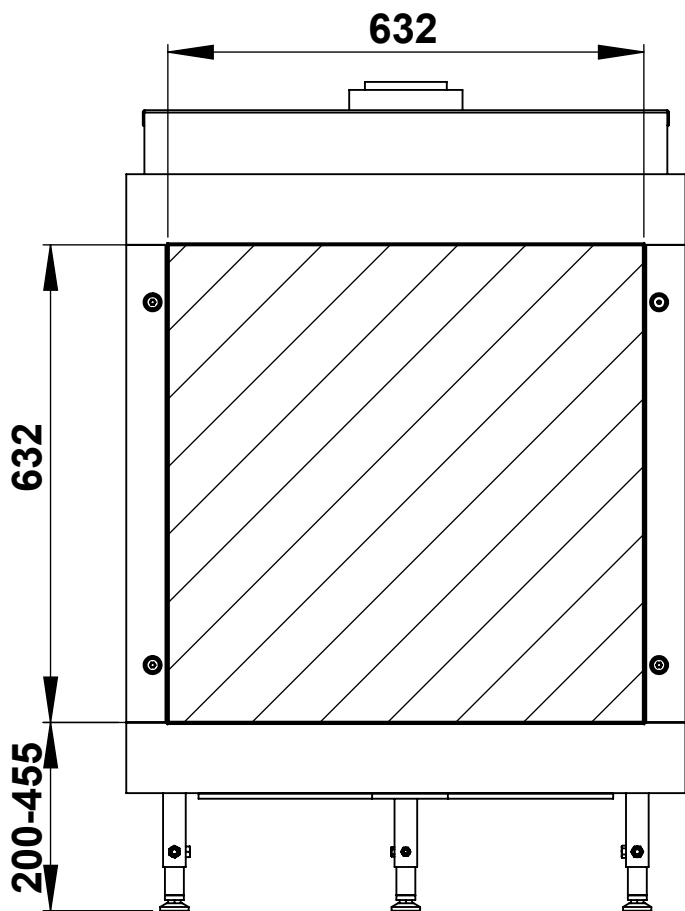
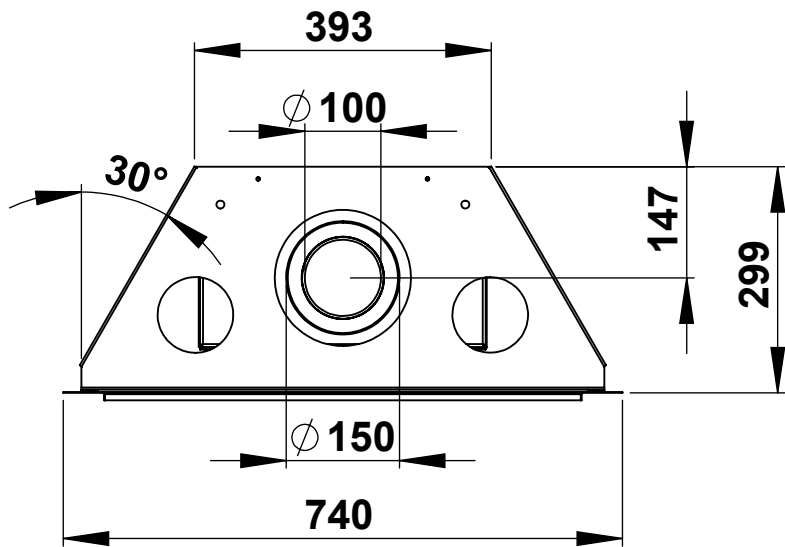


TL 63 CORNER

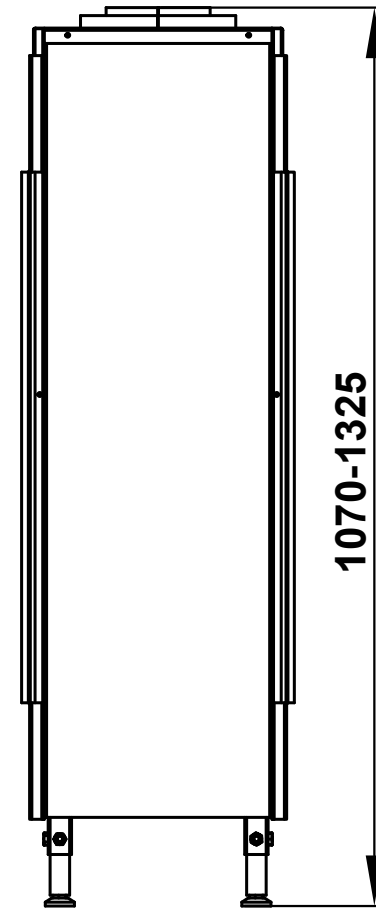
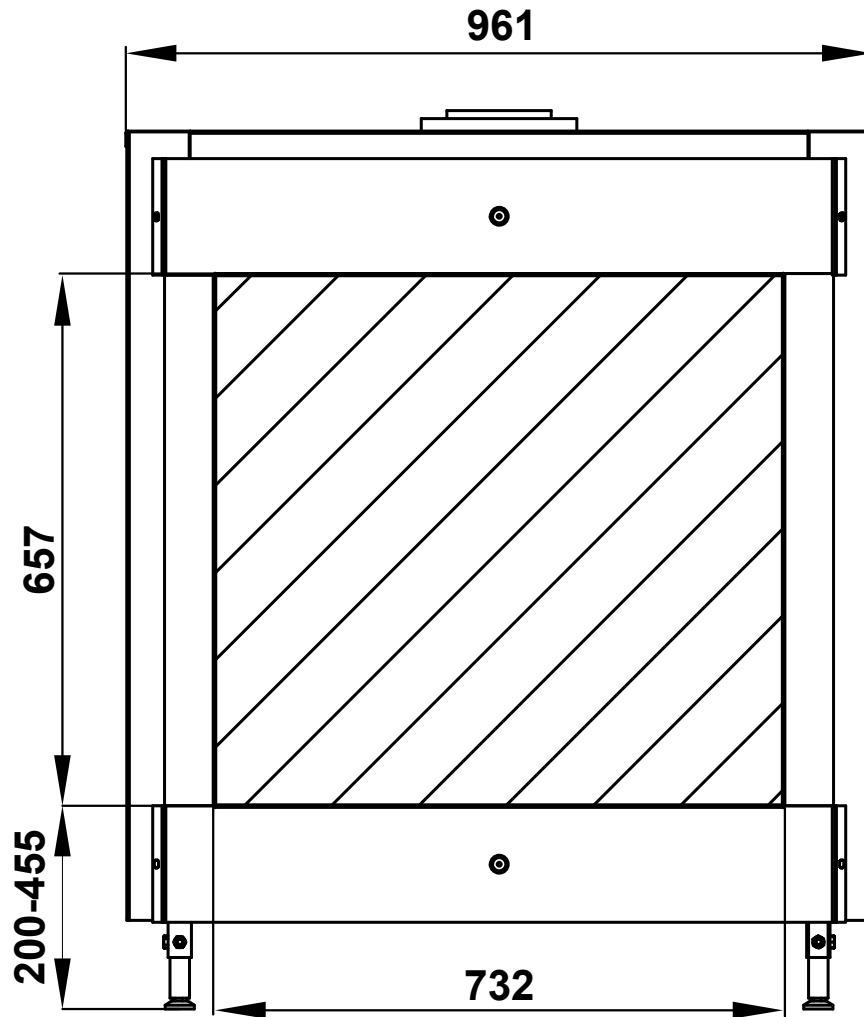
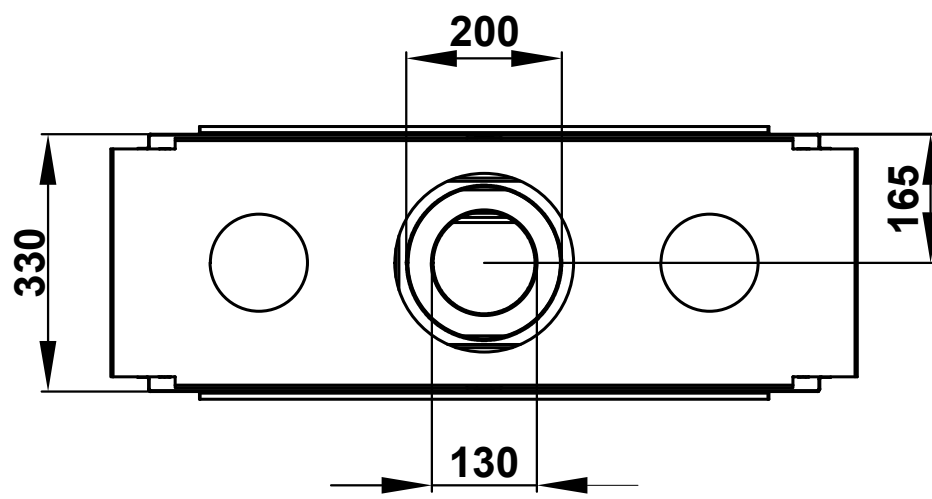


TL 63 PANO

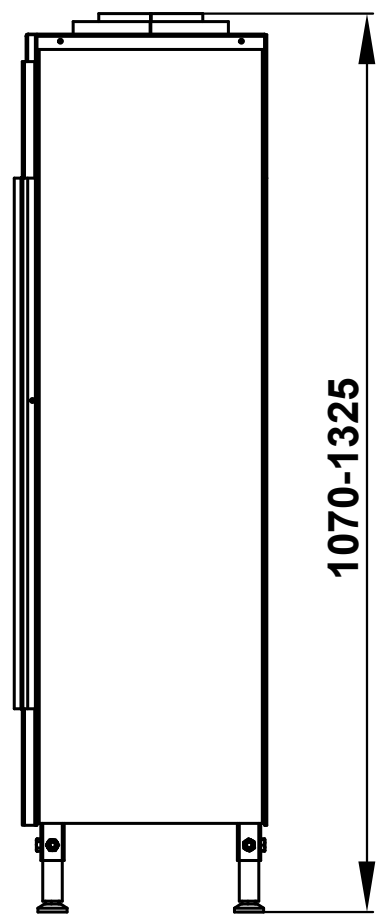
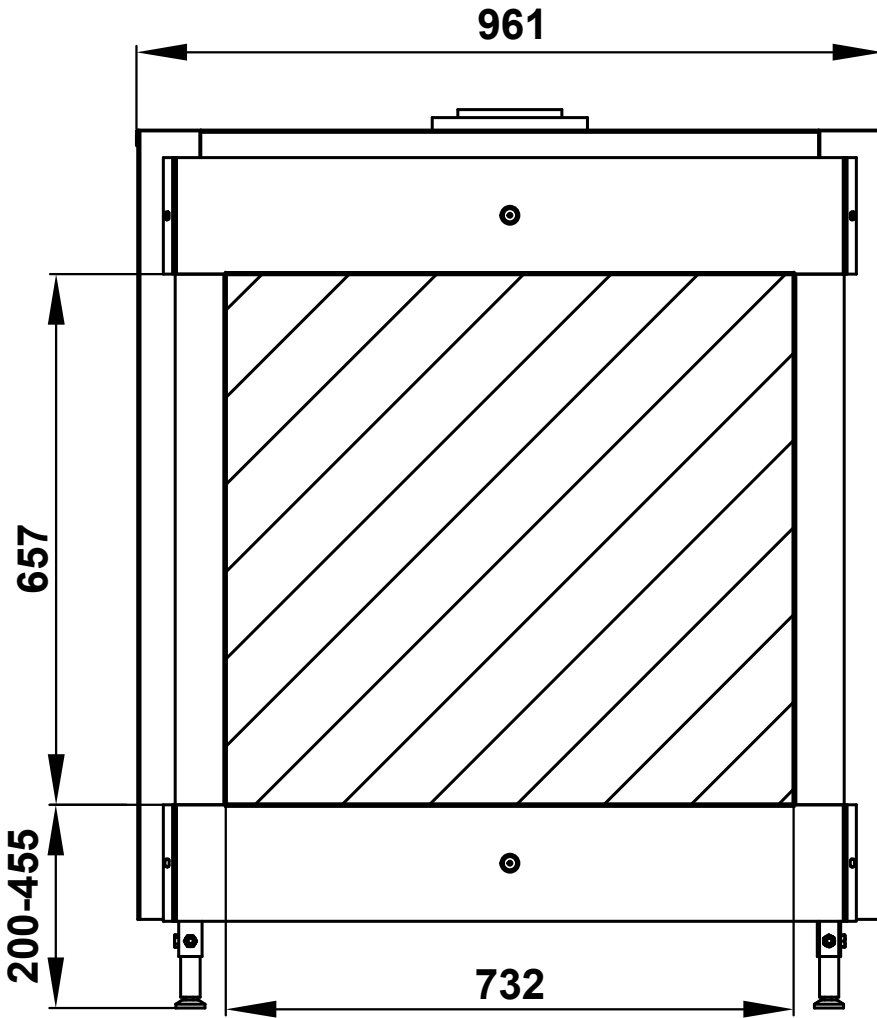
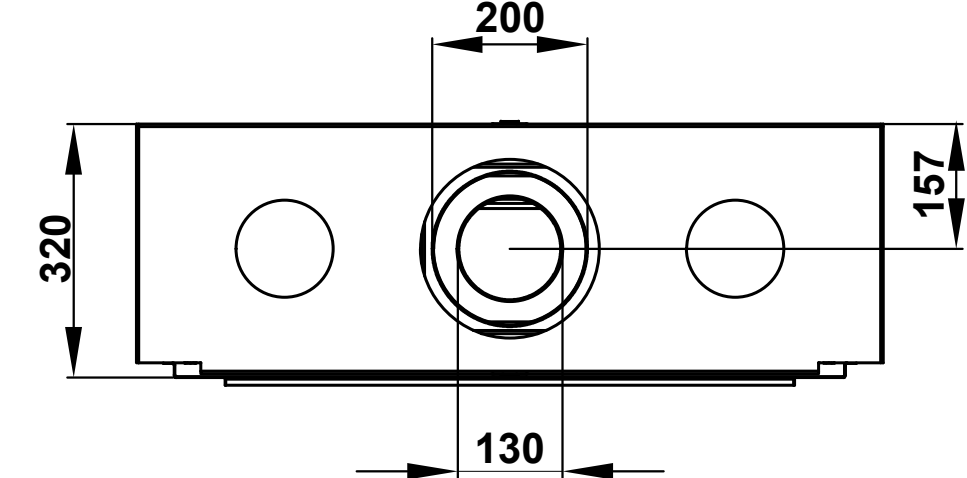


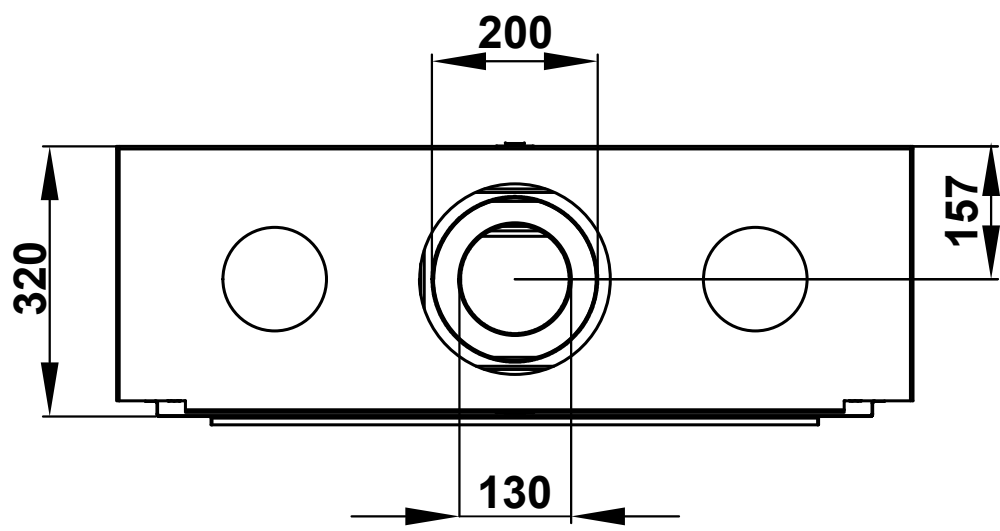


TL 73 T DB

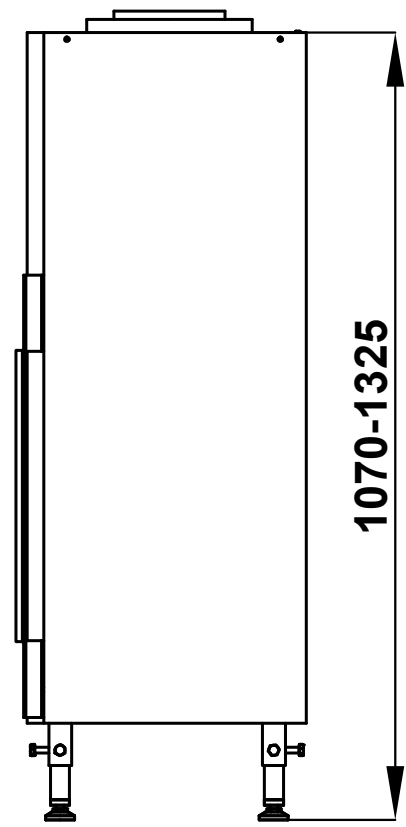
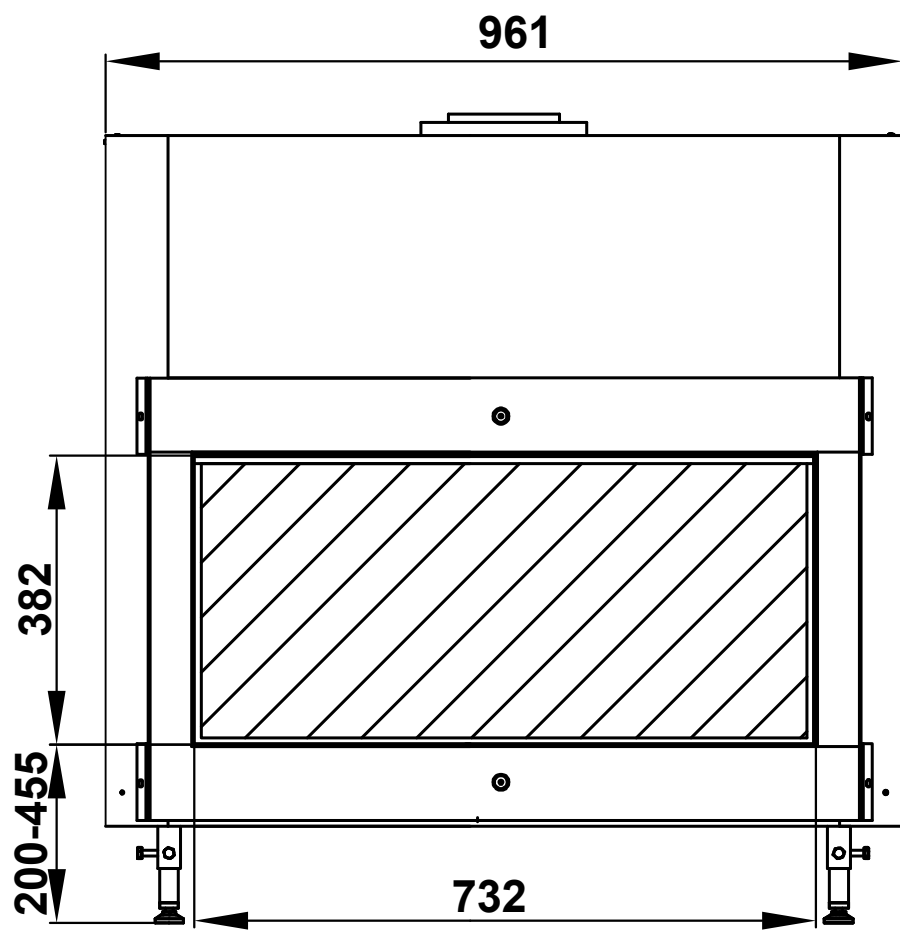


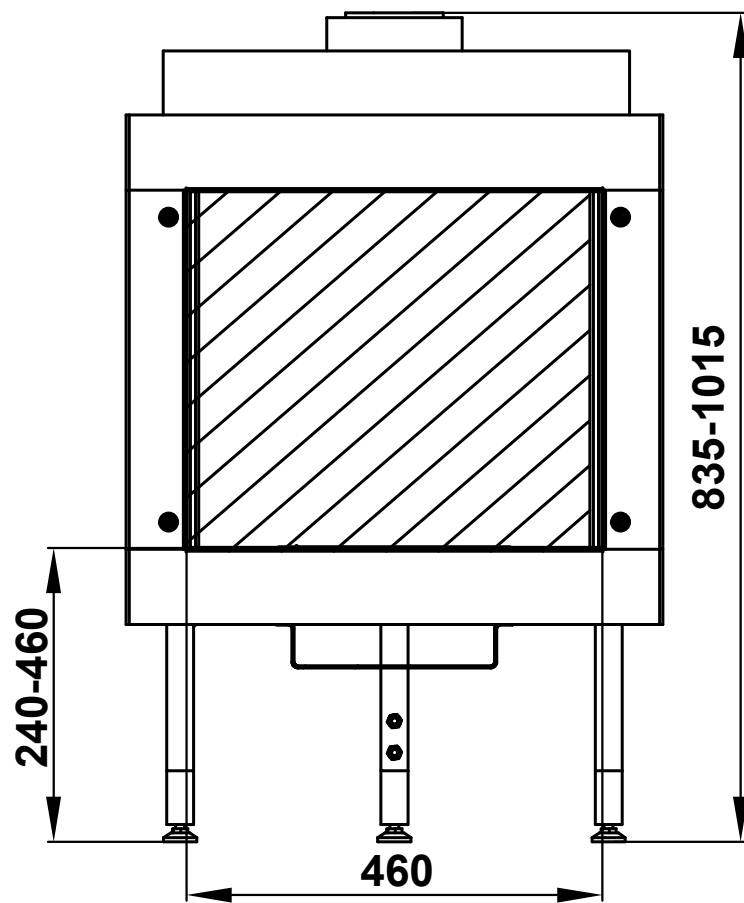
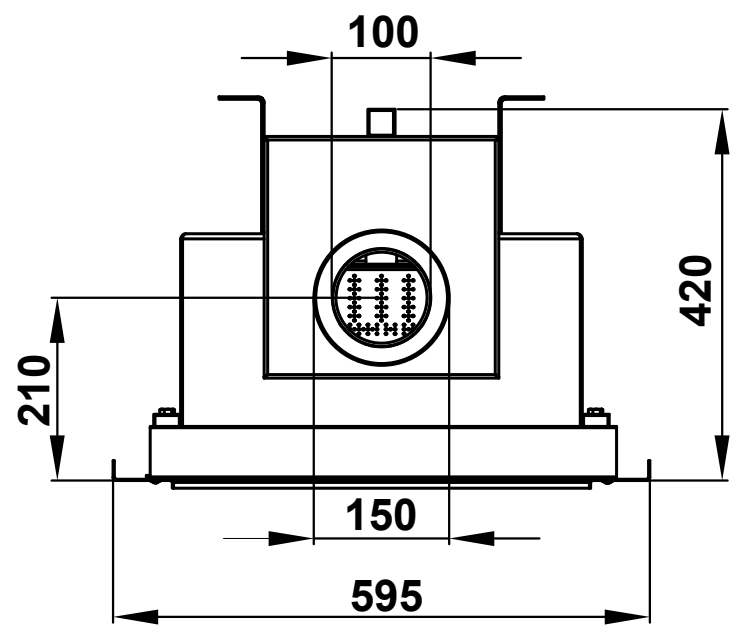
TL 73 H DB



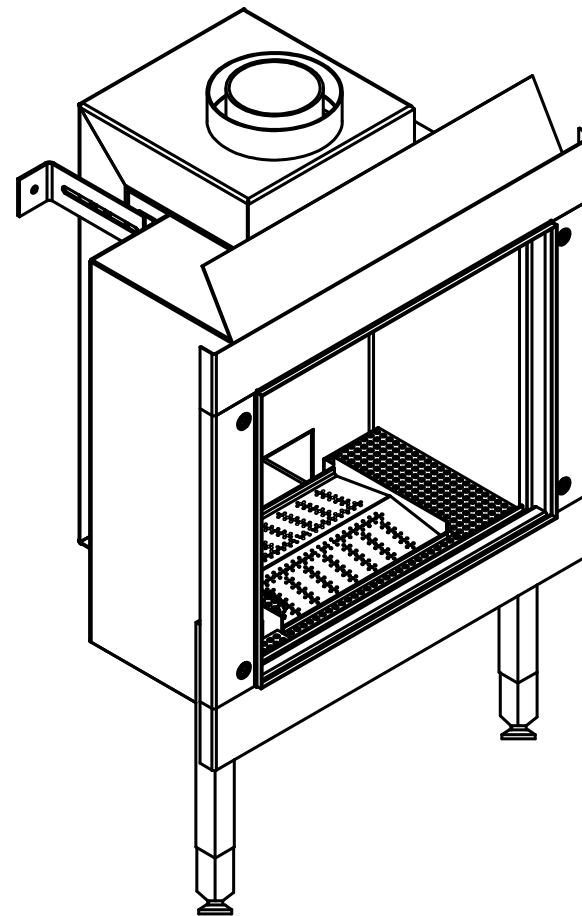


TL 73 DB





TL Q 48



TRANSPARENTE 120-140-160

